



Container

Supplies & Services



PARTS CATALOGUE 2021

CONTAINER FLOORBOARD

PLYWOOD FLOORBOARD

PART NO.	SIZE(MM)
CP-01	1160X2400X28
CP-02	1220X2440X28
CP03	1165X2440X28
CP-04	1160X2440X28
CP-05	636X2400X28
CP-06	636X1626X28
CP-07	1160X1388X28
CP-08	1160X1010X28

Face/Back: Keruing (Apitong)

Core: Mixed hardwood throughout

Plies: 19 plies, 21 plies, 23 plies

Glue: WBP Phenolic

Surface treatment: Can be raw or lacquered

Edge treatment: 45 degrees groove as requested.

Moisture content: 10%-12%

Density: $\geq 750\text{kgs/cbm}$

Payload: ISO-5460kgs, IICL(ISO+33%)-7260kgs

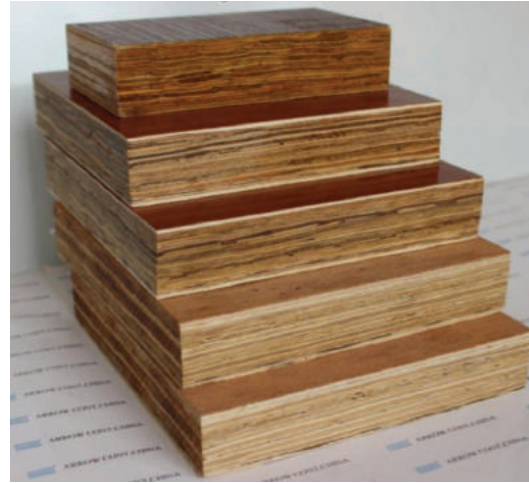
IICL short span: $\geq 6780\text{N}$



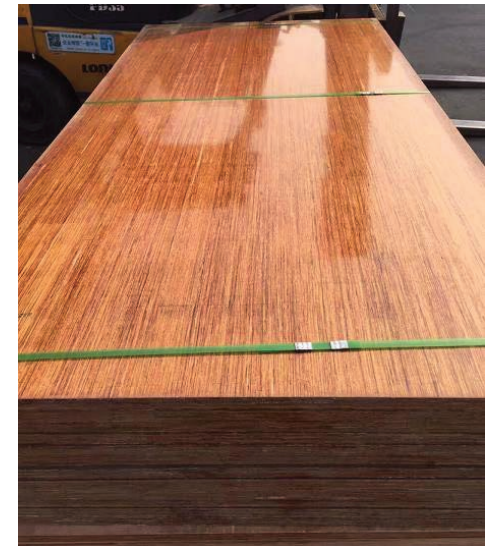
CONTAINER FLOORBOARD

BAMBOO FLOORBOARD

PART NO.	SIZE(MM)
CP-09	1160X2400X28
CP-10	1220X2440X28
CP-11	1160X1388X28
CP-12	1160X1010X28



Face/Back: Fabric filmed face, hardwood veneer back
Core: Half Bamboo + half hardwood mixed core
Plies: 21 plies, 23 plies
Glue: WBP Phenolic
Edge treatment: 45 degrees groove as requested
Moisture content: 10%-12%
Density: $\geq 750\text{kgs/cbm}$
Payload: Pass 133% FLT dynamic load test (7260kgs)
 IICL short span $\geq 6780\text{N}$



CONTAINER FLOORBOARD

WOODPLANK

PART NO.	SIZE(MM)
CP-13	103X2200X28
CP-14	150X2100X28
CP-15	310X4200X28
CP-16	312.5X4200X28
CP-17	314X4200X28
CP-18	327X4200X28

Material: Oak, Mongolian pine

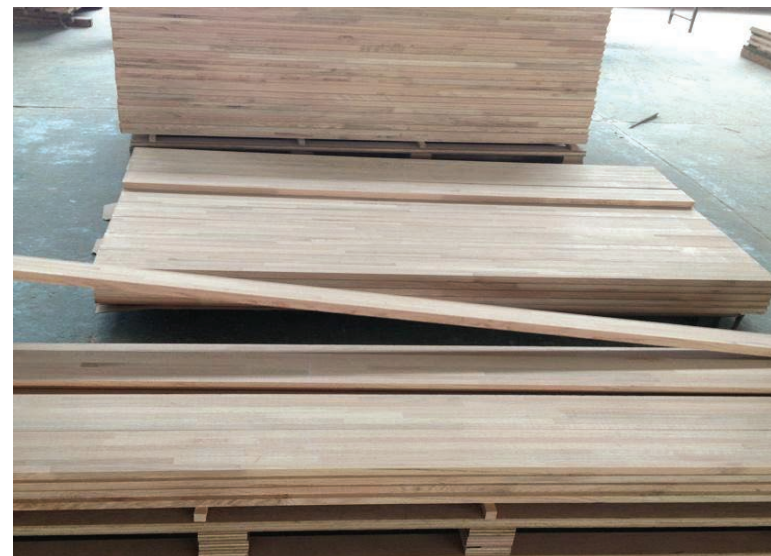
Glue: WBP Phenolic for finger jointed area.

Edge treatment: Can be edge cutted as per requirement .

Moisture content: 10%-12%

Density: \geq 500kgs/cbm for pine, \geq 650kgs/cbm for oak.

Payload: Pass 133% FLT dynamic load test (7260kgs)

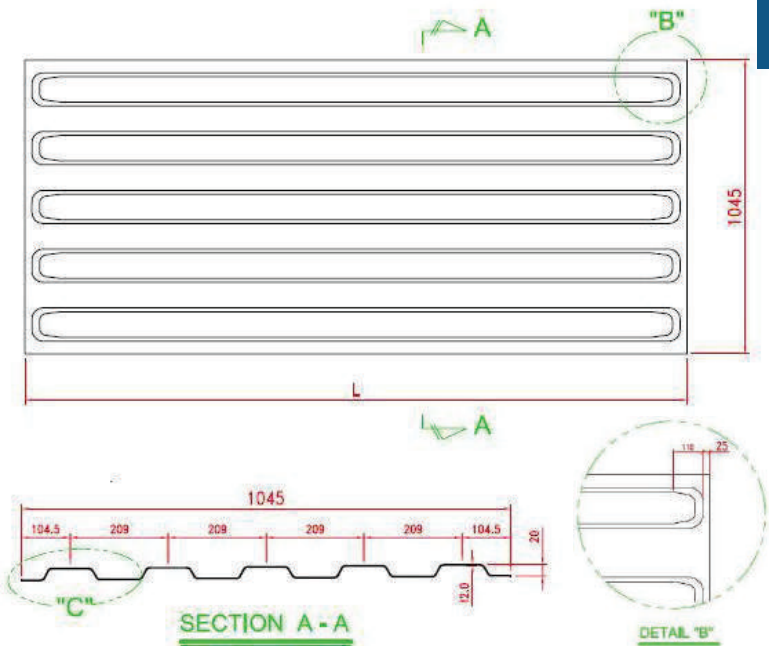
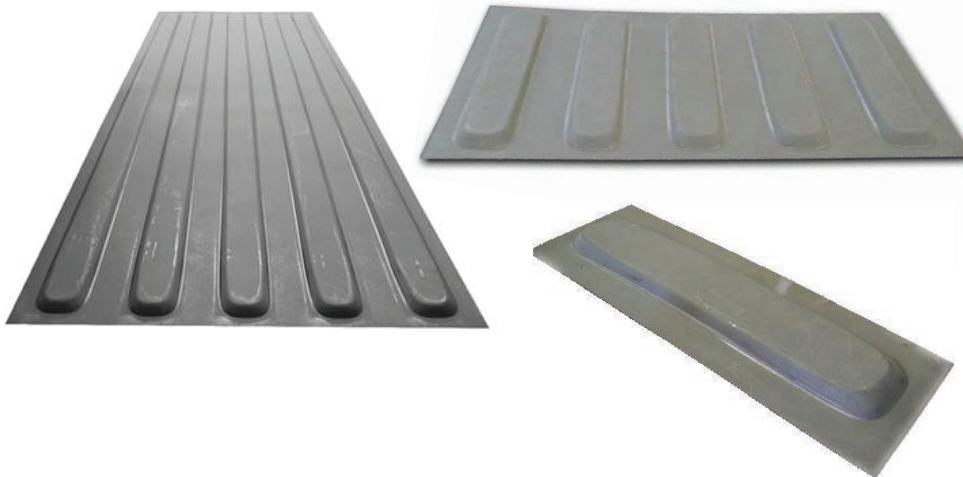


CONTAINER BODY PARTS

ROOF PANEL

PART NO.	SIZE(MM)	SPECIFICATIONS
RP-01	2.0X1045X2356	Standard, 5Corrs, Round End
RP-02	2.0X1045X600	5Corrs, Round End
RP-03	2.0X1045X2356	Standard, 4Corrs,,Round End
RP-04	2.0X1045X600	Standard, 4Corrs,Round End
RP-05	2.0X1144X2359	Evergreen, 5Corrs, Sharp End

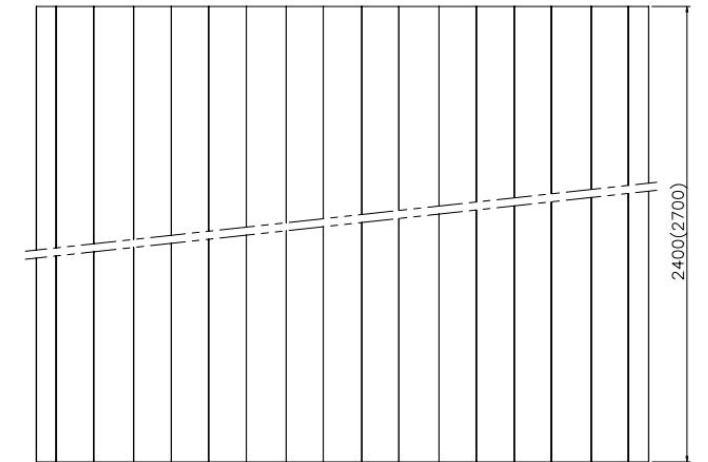
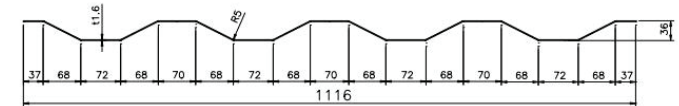
* above roof panels are also available in wall thickness of 1.6mm



CONTAINER BODY PARTS

SIDE PANEL

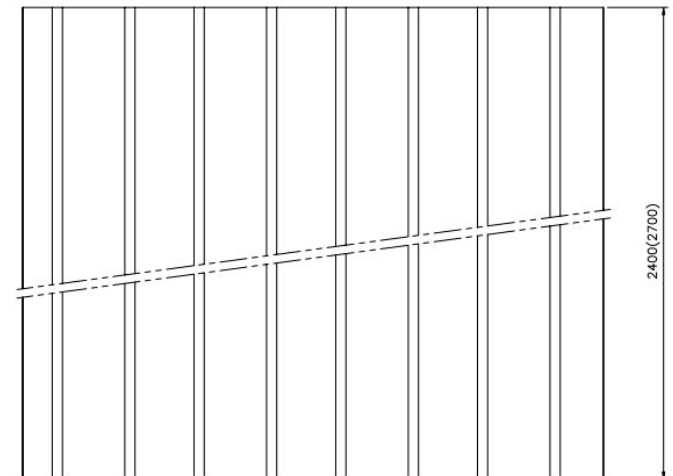
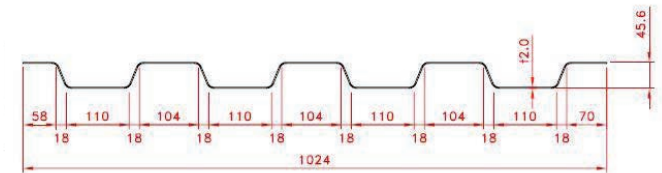
PART NO.	SIZE(MM)	SPECS
SP-01	1.6X1116X2400	Standard
SP-02	1.6X1116X2700	Standard
SP-03	2.0X1116X2400	Standard
SP-04	2.0X1116X2700	Standard
SP-05	1.6X1016X2400	Hanjin
SP-06	1.6X1016X2700	Hanjin
SP-07	2.0X1142X2400	
SP-08	2.0X1142X2700	
SP-09	PATCH: 1.6X278X150/300	1 Corr
SP-10	PATCH: 1.6X556X150/300/600	2 Corrs
SP-11	PATCH: 1.6X1116X150/300/450/600/1200	4 Corrs
SP-12	PATCH: 2.0X1116X150/300/450/600/1200	4 Corrs
SP-13	PATCH: 1.6X1142X300	4 Corrs



CONTAINER BODY PARTS

FRONT END PANEL

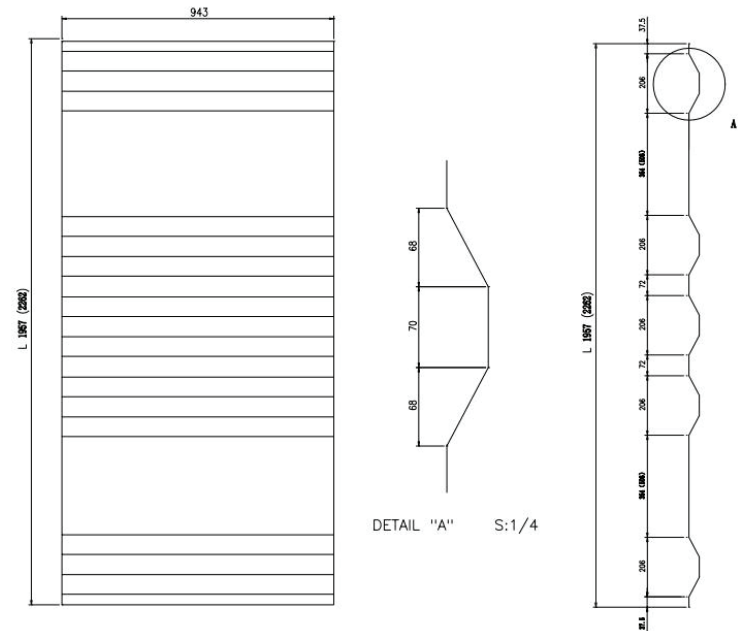
PART NO.	SIZE(MM)	SPECIFICATIONS
FEP-01	2.0X1024X2400	20' & 40', 4Corrs
FEP-02	2.0X1024X2700	40'HC, 4Corrs
FEP-03	2.0X1024X2400	Evergreen, 5Corrs
FEP-04	2.0X1024X2700	Evergreen, 5Corrs
FEP-05	PATCH: 2.0X256X2700	1Corr
FEP-06	PATCH: 2.0X546X2700	2Corrs
FEP-07	PATCH: 2.0X796X2700	3Corrs



CONTAINER BODY PARTS

DOOR PANEL

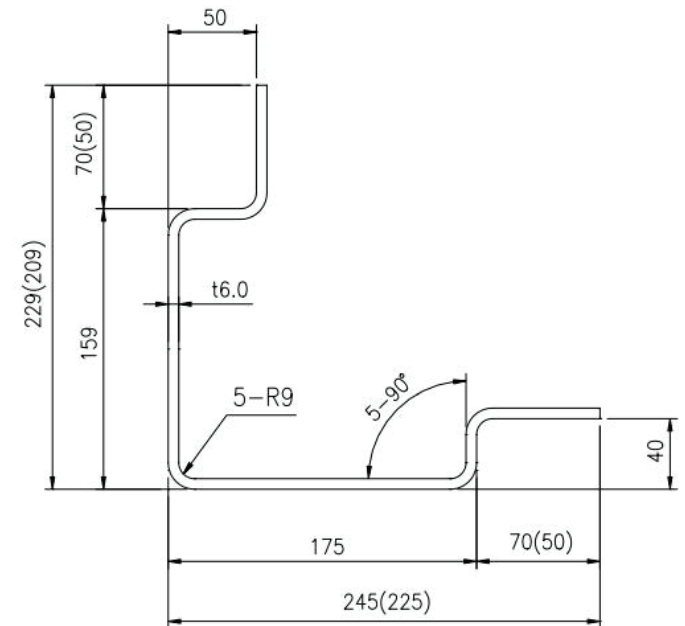
PART NO.	SIZE(MM)	SPECIFICATIONS
DP-01	2.0X943X1957	20' & 40', 2Corrs or 3Corrs
DP-02	2.0X943X2262	40'HC, 2Corrs or 3Corrs
DP-03	2.0X943X1957	20' & 40', 5Corrs
DP-04	2.0X943X2262	40'HC, 5Corrs



CONTAINER BODY PARTS

REAR CORNER POST

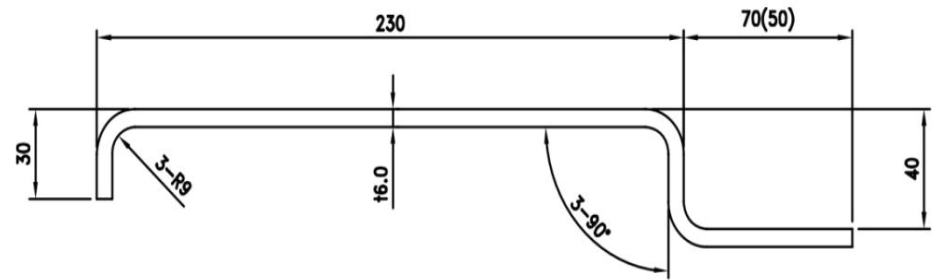
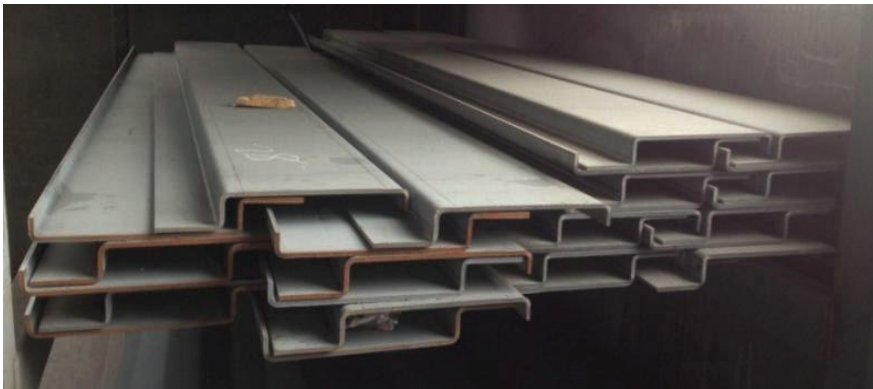
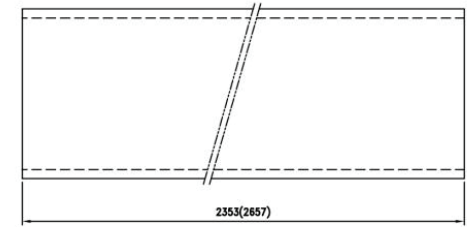
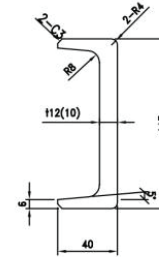
PART NO.	SIZE(MM)	SPECIFICATIONS
FCP-01	6.0X209X225X2400	Standard, 20' & 40'
FCP-02	6.0X209X225X2700	Standard, 40'HC
FCP-03	6.0X229X245X2400	Wide Flange, 20' & 40'
FCP-04	6.0X229X245X2700	Wide Flange, 40'HC
FCP-05	6.0X229X214X2420	
FCP-06	6.0X229X214X2743/2700	
FCP-07	4.5X240.5X220.5X2400	
FCP-08	4.5X240.5X220.5X2700	
FCP-09	6.0X248X232X2400	
FCP-10	6.0X248X232X2700	
FCP-11	6.0X246X231X2420	
FCP-12	6.0X246X231X2743	
FCP-13	3.0X30X160X30X2400	Inner
FCP-14	3.0X30X160X30X2700	Inner



CONTAINER BODY PARTS

REAR CORNER POST

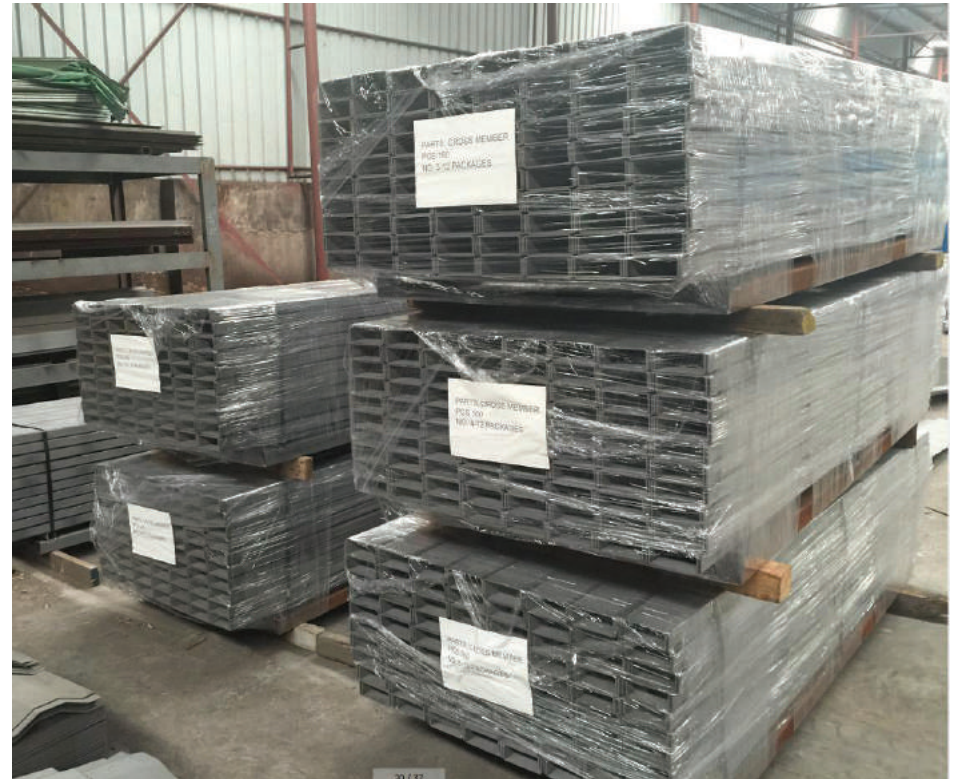
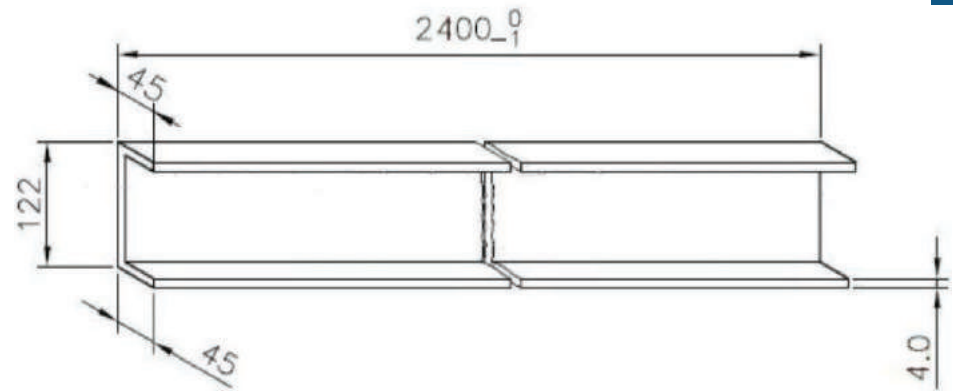
PART NO.	SIZE(MM)	SPECIFICATIONS
RCPO-01	6.0X50X40X232X2400	Outer, Standard, 20' & 40'
RCPO-02	6.0X50X40X232X2700	Outer, Standard, 40' HC
RCPO-03	6.0X70X39X230X2400	Outer, Wide Flange, 20' & 40'
RCPO-04	6.0X70X39X230X2700	Outer, Wide Flange, 40' HC
RCPI-01	10X113X40X2353	Inner
RCPI-02	12X113X40X2353	Inner
RCPI-03	12X113X40X2657	Inner



CONTAINER BODY PARTS

BOTTOM CROSS MEMBER

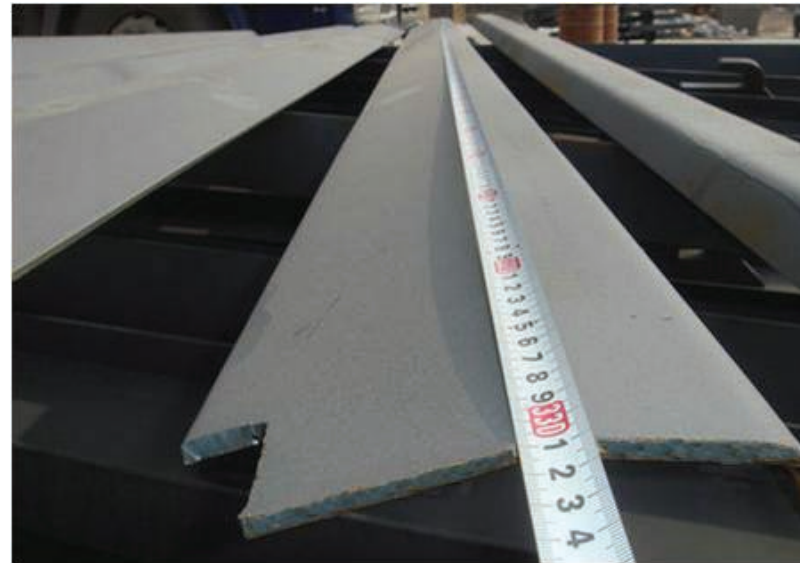
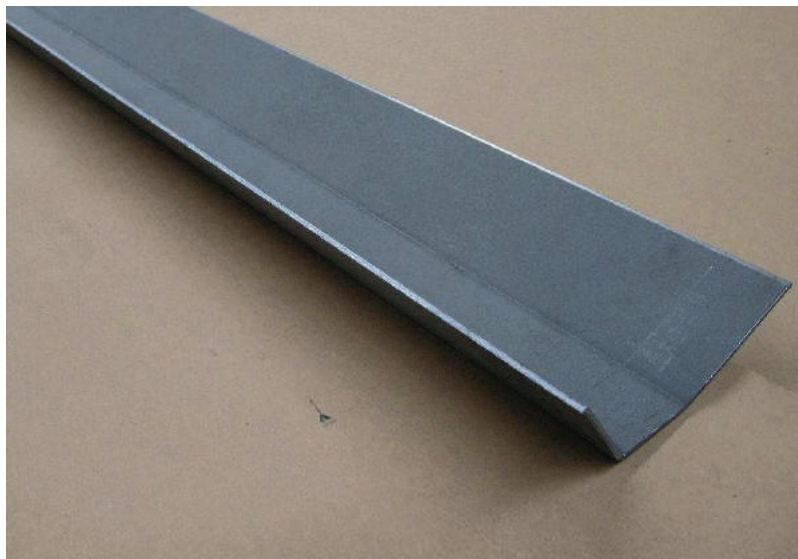
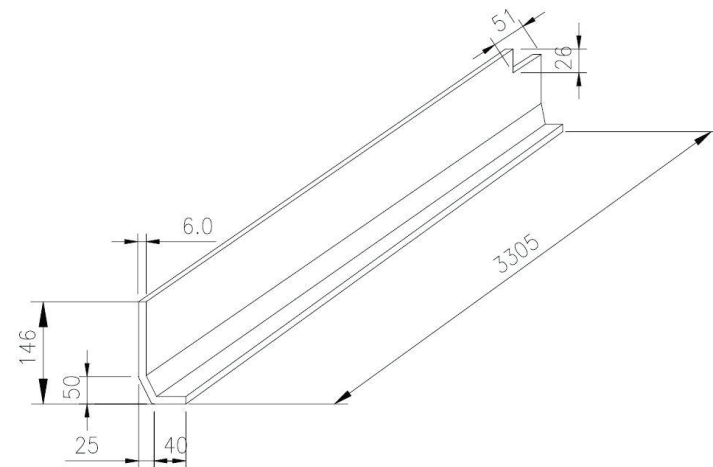
PART NO.	SIZE(MM)
BCM-01	4.5X45X122X80X2350/2400
BCM-02	4.5X45X122X45X2350/2400
BCM-03	4.5X75X122X45X2350/2400
BCM-04	4.5X80X122X50X2400
BCM-05	4.5X45X85X45X2400
BCM-06	4.5X45X100X45X2400
BCM-07	4.5X60X122X45X2400
BCM-08	4.5X60X120X60X2420
BCM-09	4.5X60X120X80X2420
BCM-10	4.5X50X120X50X2400
BCM-11	4.0X45X122X80X2350/2400
BCM-12	4.0X45X122X75X2350/2400
BCM-13	4.0X45X122X45X2350/2400
BCM-14	4.0X45X85X45X2400
BCM-15	4.0X45X100X45X2400



CONTAINER BODY PARTS

GOOSENECK RAIL

PART NO.	SIZE(MM)	SPECIFICATIONS
GCR-01	4.0X75X100X75X2268	Gooseneck Cross Rail
GCR-02	4.0X100X75X2328	Gooseneck Cross Rail
GCR-03	6.0X100X150X60X2328	Gooseneck Cross Rail
GCR-04	6.0X146X65X3305	Gooseneck Cross Rail
GCR-05	4.5X26X100X26X1029	Gooseneck Side Rail
GCR-06	4.5X150X1160X150X3307	Gooseneck Plate

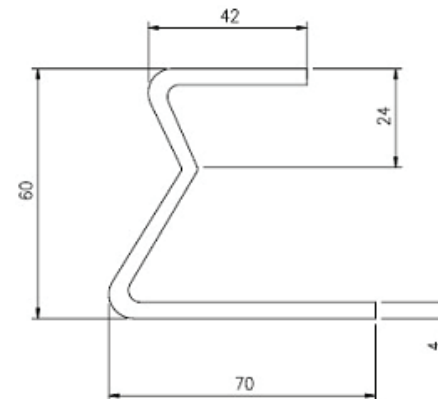


CONTAINER BODY PARTS

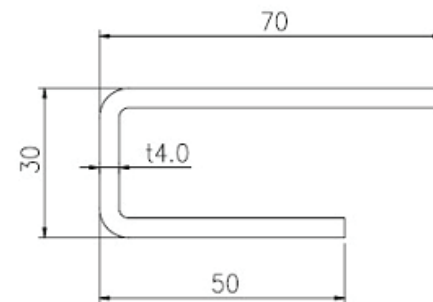
BOTTOM SIDE RAIL

PART NO.	SIZE(MM)	SPECIFICATIONS
TSR-01	3.0X60X60X5702	Square Tube
TSR-02	3.2X60X60X5702	
TSR-03	12X50X5702	Flat Bar
TSR-04	14X50X5702	
TSR-05	"U" Type, T=4.0 L=2400	Marsek
TSR-06	"W" Type, T=4.0 L=2400	
TSR-07	3.0X60X60X11841	Square Tube
TSR-08	3.2X60X60X11841	

"W" Type



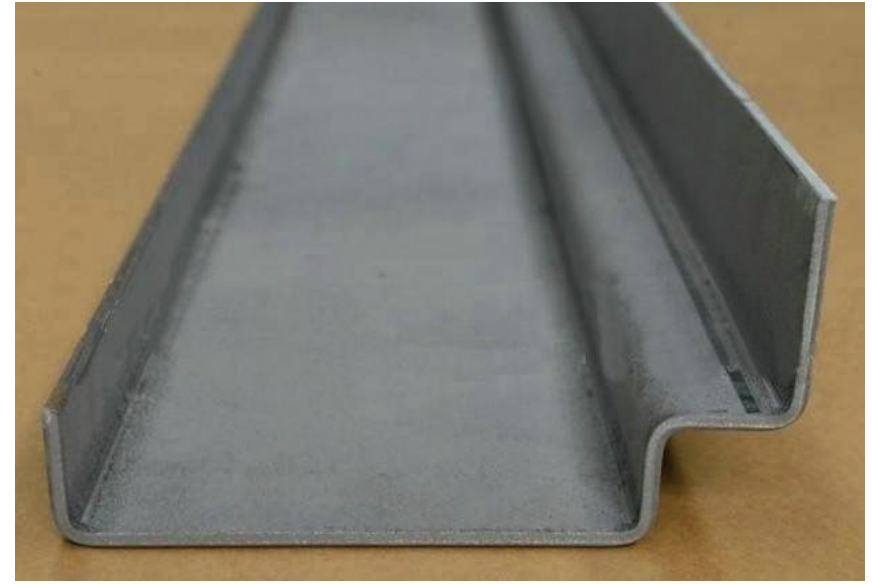
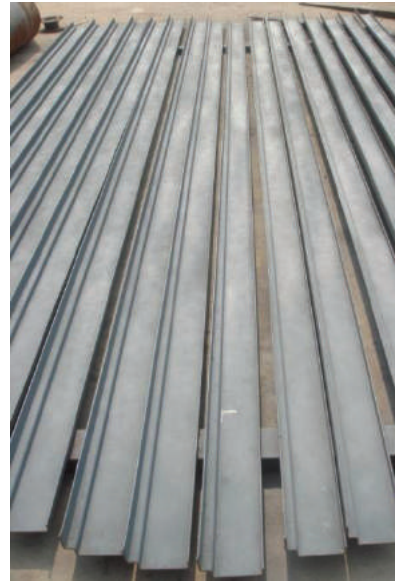
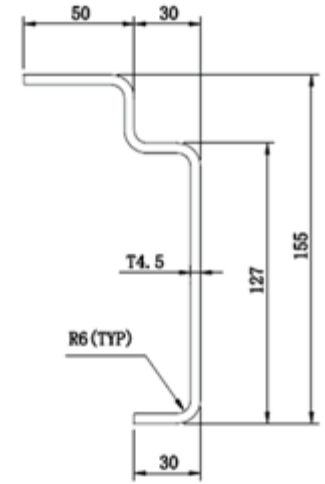
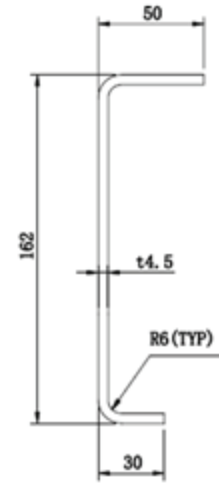
"U" Type



CONTAINER BODY PARTS

BOTTOM SIDE RAIL

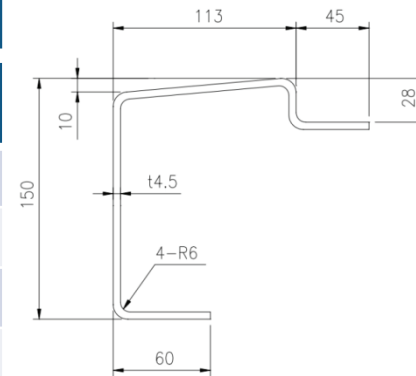
PART NO.	SIZE(MM)	SPECS
BSR-01	4.5X50X162X30X5702	20' "C" Type
BSR-02	4.5X50X155X30X5702	20' "Double Z"
BSR-03	4.5X50X162X30X1900	"C" Type



CONTAINER BODY PARTS

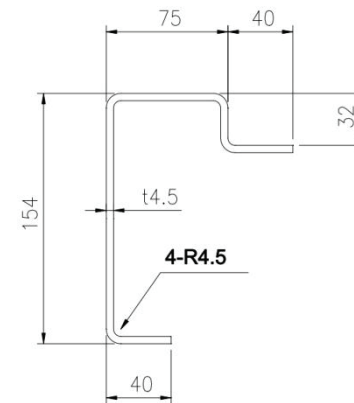
DOOR SILL

PART NO.	SIZE(MM)	SPECIFICATIONS
DS-01	4.5X158X150X2400	
DS-02	4.5X168X150X2400	113mm change to 123mm
DS-03	6.0X294X142X2400	Evergreen
DS-04	9.0X200X75X70	C-Chanel
DS-05	10X300X95X70	V-Chanel



FRONT BOTTOM RAIL

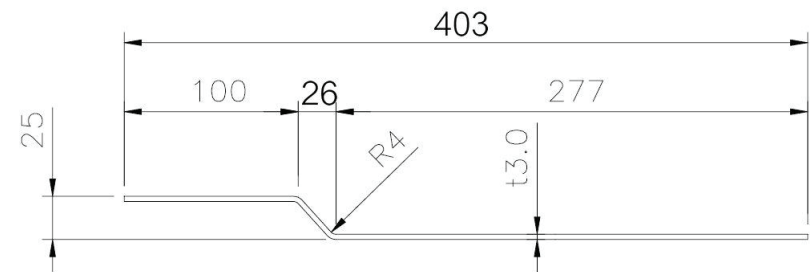
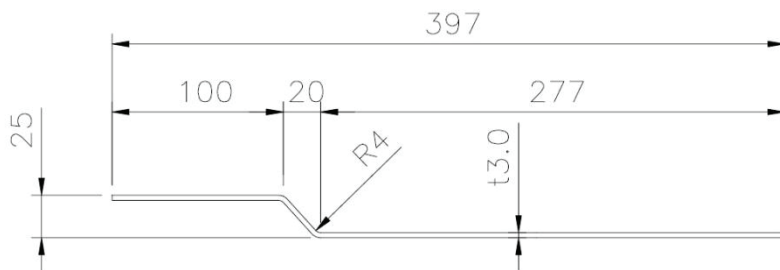
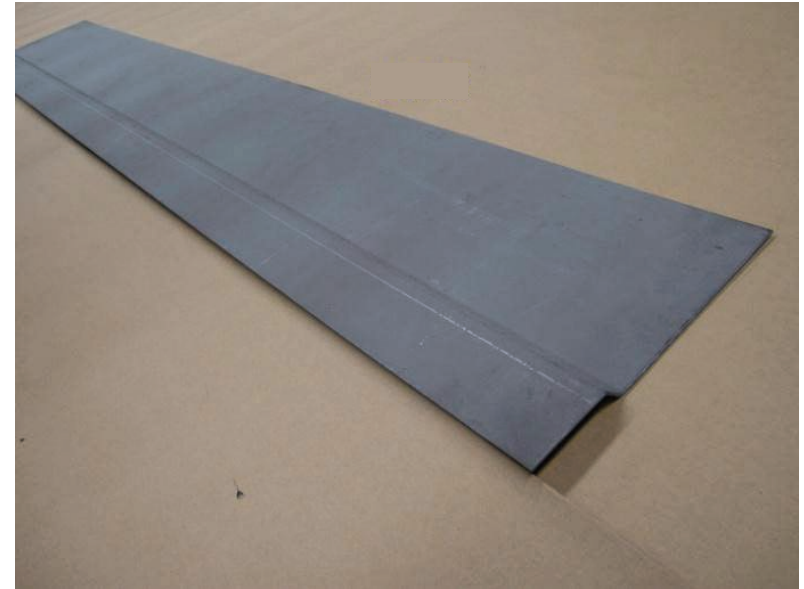
PART NO.	SIZE(MM)	
FBR-01	4.5X115X154X2400	
FBR-02	4.5X60X154X40X2400	75 mm change to 60 mm
FBR-03	4.5X80X154X40X2400	75 mm change to 80 mm



CONTAINER BODY PARTS

TOP END RAIL

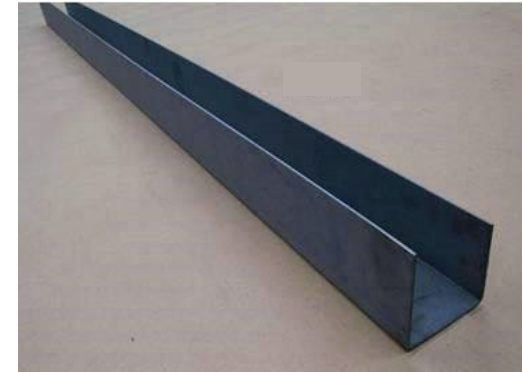
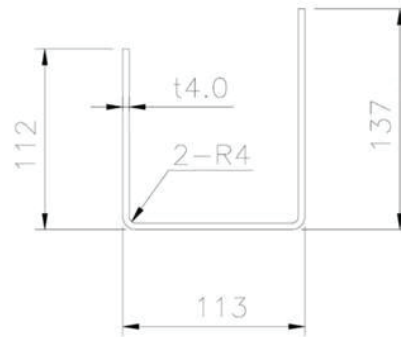
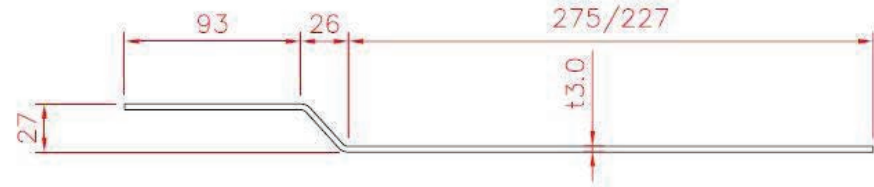
PART NO.	SIZE(MM)	SPECIFICATIONS
TER-01	3.0X100X26X277X2400	20'GP
TER-02	3.0X121X26X194X2400	40'/40'HC
TER-03	4.0X95X26X304.8X2420	Extension Plate
TER-04	3.0X100X20X277X2400	20'GP
TER-05	3.0X121X20X194X2400	40'/40'HC
TER-06	3.0X100X20X277X300	
TER-07	4.0X95X20X304.8X2420	Extension Plate



CONTAINER BODY PARTS

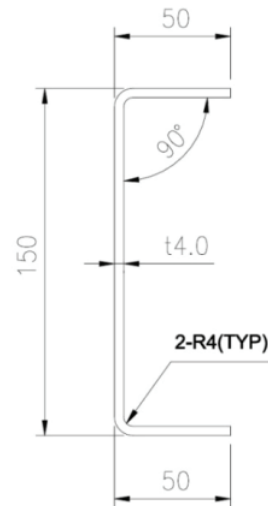
DOOR HEADER

PART NO.	SIZE(MM)
DHU-01	3.0X93X26X275X2400
DHU-02	3.0X93X26X227X2400
DHU-03	3.0X93X20X275X2400
DHU-04	3.0X93X20X227X2400
DHL-01	4.0X112X113X137X2400
DHL-02	4.0X110X110X130X2400



DOOR RAIL

PART NO.	SIZE(MM)
DR-01	4.0X50X150X50X943
DR-02	3.0X50X150X50X943



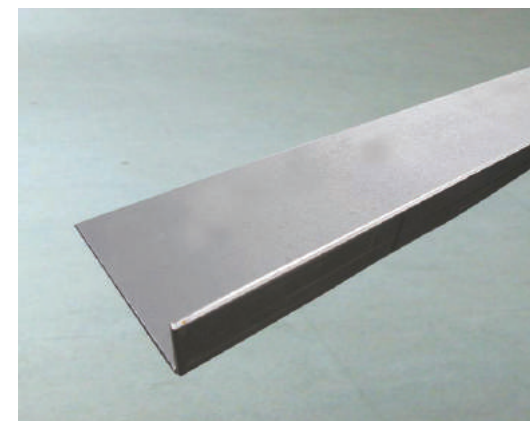
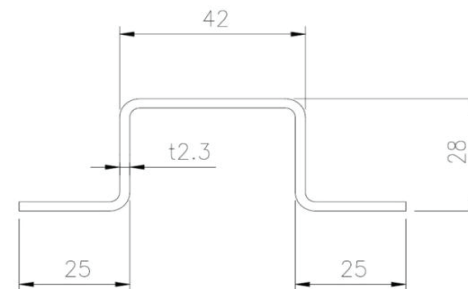
CONTAINER BODY PARTS

FLOOR SPACER

PART NO.	SIZE(MM)
FS-01	2.3X42X28X25X3000
FS-02	2.3X52X25X25X2400

ANGLE

PART NO.	SIZE(MM)
AE-01	4.0X110X45X2350
AE-02	4.0X110X80X2350
AE-03	4.0X140X45X2350
AE-04	4.0X45X80X2350
AE-05	4.0X30X100X2400
AE-06	3.0X50X50X2400
AE-07	6.0X127X127X2400
AE-08	6.0X120X130X2700
AE-09	6.0X120X130X2400
AE-10	6.0X30X50X2700
AE-11	6.0X30X50X1200/900/600



CONTAINER BODY PARTS

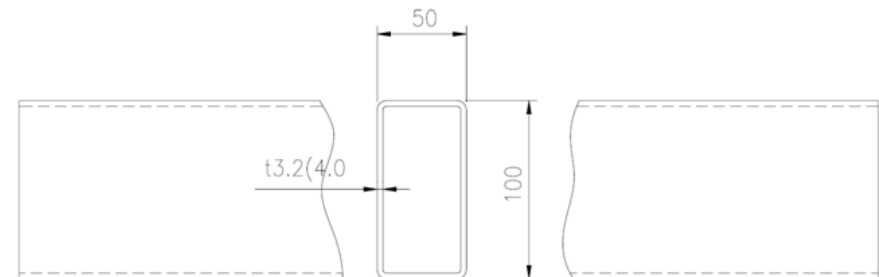
STEEL PLATE

PART NO.	SIZE(MM)	PART NO.	SIZE(MM)
CS-01	1.6X1185X2380	CS-06	3.0X1180X2400
CS-02	1.6X1185X2440	CS-07	3.2X1200X2400
CS-03	1.6X1185X2700X2743	CS-08	4.0X1360X2400/2700
CS-04	2.0X1225X2380/2400/2438/2794	CS-09	4.5X1320X2400/2420
CS-05	2.0X1180X2400/2700	CS-10	6.0X1460X2400/2438/2700/2743



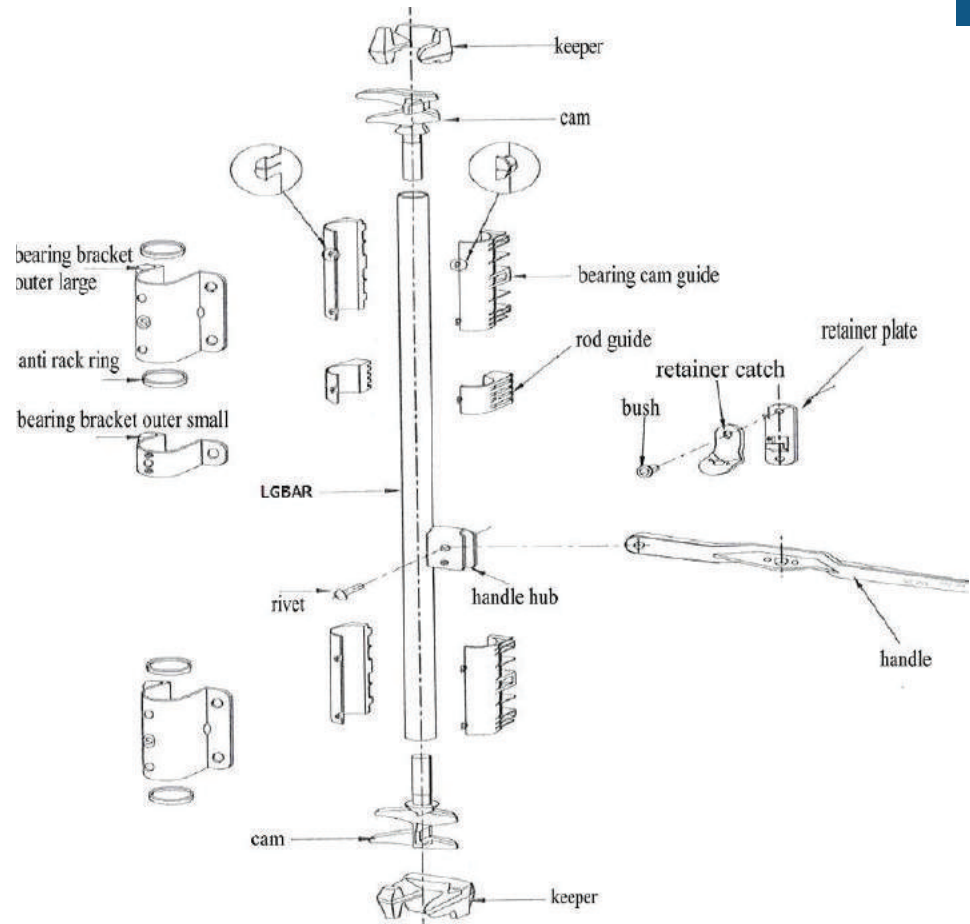
DOOR EDGE MEMBER

PART NO.	SIZE(MM)	SPECS
DEM-01	3.0X50X100X2260	20' & 40'
DEM-02	3.0X50X100X2560	40' HC
DEM-03	3.0X50X100X2260	20' & 40'
DEM-04	3.2X50X100X2560	40HC
DEM-05	4.0X50X100X2260	20' & 40'
DEM-06	4.0X50X100X2560	40HC



DOOR LOCKING PARTS-(I)

PART NO.	SPECIFICATIONS
LCP-01	CAM R.H
LCP-02	CAM L.H
LCP-03	KEEPER R.H
LCP-04	KEEPER L/H
LCP-05	SECURITY CAM R.H
LCP-06	SECURITY KEEPER R.H
LCP-07	BEARING BRACKET L OUTER
LCP-08	BEARING BRACKET S OUTER
LCP-09	BEARING BRACKET L INNER
LCP-10	BEARING BRACKET S INNER
LCP-11	BEARING CAM GUIDE
LCP-12	ROD GUIDE
LCP-13	HANDLE-FORGED
LCP-14	HANDLE-PRESSED
LCP-15	BUSH



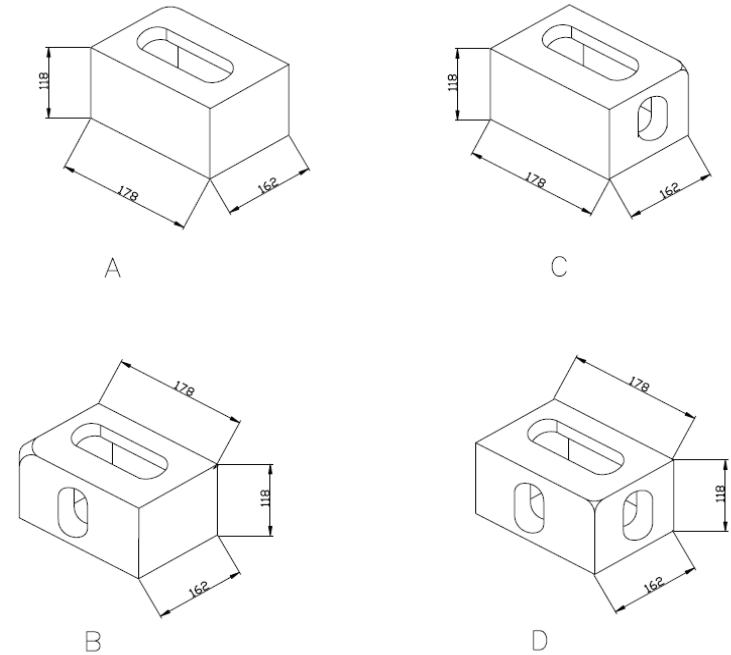
DOOR LOCKING PARTS-(II)

PART NO.	SPECIFICATIONS
LCP-16	RETAINER CATCH-FORGED
LCP-17	RETAINER PLATE-FORGED
LCP-18	RETAINER CATCH-PRESSED
LCP-19	RETAINER PLATE-PRESSED
LCP-20	HANDLE HUB
LCP-21	HANDLE RILVET
LCP-22	ANTI RACK RING
LCP-23	HINGE BLADE-FORGED
LCP-24	HINGE BLADE-PRESSED
LCP-25	HINGE BLADE-PRESSED MSK
LCP-26	HINGE LUG
LCP-27	HINGE PIN,110mm
LCP-28	CONTAINER LOCK ROD 20ft
LCP-29	CONTAINER LOCK ROD 40hq
LCP-30	HARD-TOP LOCK ROD



CORNER CASTINGS

PART NO.	SIZE(MM)	SPECS
CC-01	178X162X118	8PCS/SET
CC-02	178X162X118	BL
CC-03	178X162X118	BR
CC-04	178X162X118	TL
CC-05	178X162X118	TR
CC-06	178X218X118	45ft



ITEM	DESCRIPTION
A	FOR FRONT TOP RH OR REAR TOP LH POSITION
B	FOR FRONT TOP LH OR REAR TOP RH POSITION
C	FOR FRONT LOW RH OR REAR LOWER LH POSITION
D	FOR FRONT LOWER LH OR REAR LOWER RH POSITION



DOOR GASKET & RETAINER STRIP

STAINLESS DOOR SEAL RETAINER STRIP

PART NO.	SIZE(MM)
SRS-01	1.0X23X7X1130
SRS-02	1.0X23X7X2249
SRS-03	1.0X23X7X2549















ABS DOOR SEAL RETAINER STRIP

PART NO.	SIZE(MM)
PDS-01	2.0X32X9X1142
PDS-02	2.0X32X9X2242



OTHER PARTS & CONSUMABLES(I)

PART NO.	ITEM	SIZE(MM)
SW-01	FLOOR SCREW	M6X45,  / 
SW-02	FLOOR SCREW	M6X50,  / 
SW-03	FLOOR SCREW	M6X65,  / 
SW-04	FLOOR SCREW	M8X45,  / 
SW-05	FLOOR SCREW	M8X50,  / 
SW-06	FLOOR SCREW	M8X65,  / 
SB-01	SCREW BIT	SINGLE END
SB-02	SCREW BIT	DOUBLE END
TOOL1	IMPACTOR FOR SCREW	Inlet dia. 1/4 PT
TOOL2-1	SOCKET	M12.5X12.5
TOOL2-2	SOCKET	M19X19
CSC-01	CSC PLATE	0.8X100X200
CSC-02	CSC PLATE	0.8X200X250
CSC-03	CSC PLATE	0.8X210X270
DC-01	DECAL	available in all types
LR-01	LASHING RING	Φ8X70
LR-02	LASHING RING	Φ12X64
LR-03	LASHING RING	Φ12X140

